

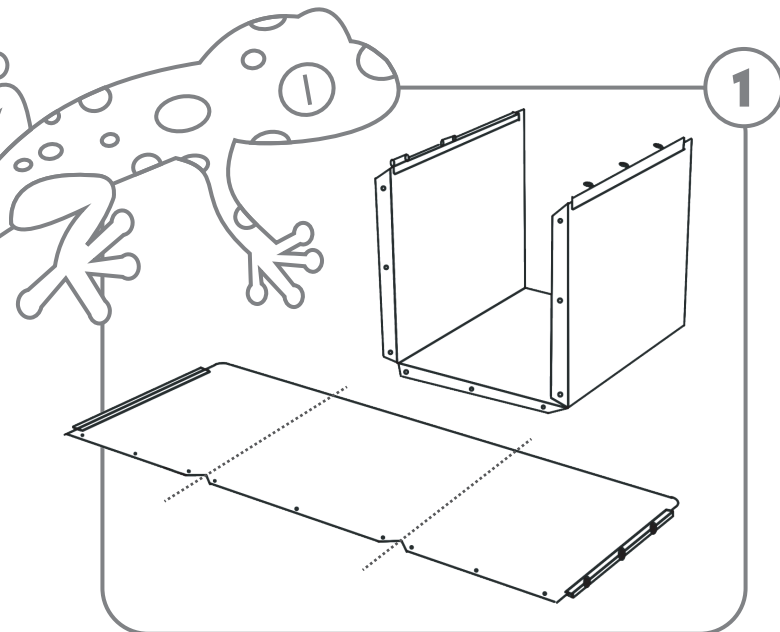
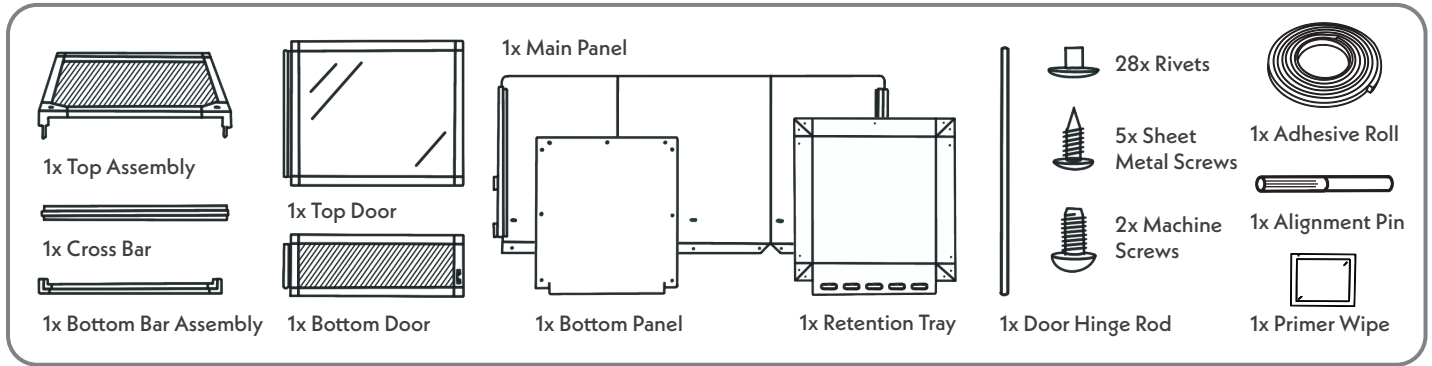


leap[®]

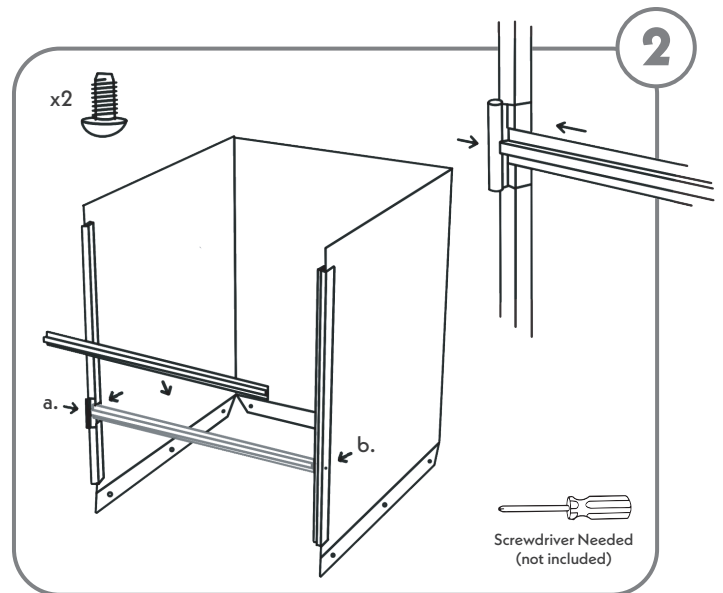
Habitat Assembly

Assembly instructions for use with single hinge Leap Habitats including: LH151718, LH151724, LH221718, LH221724, and LH221736

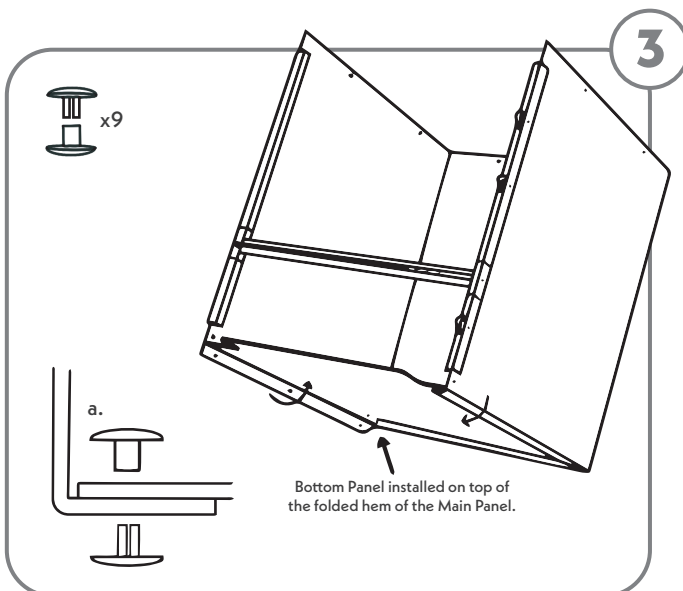
In the Box



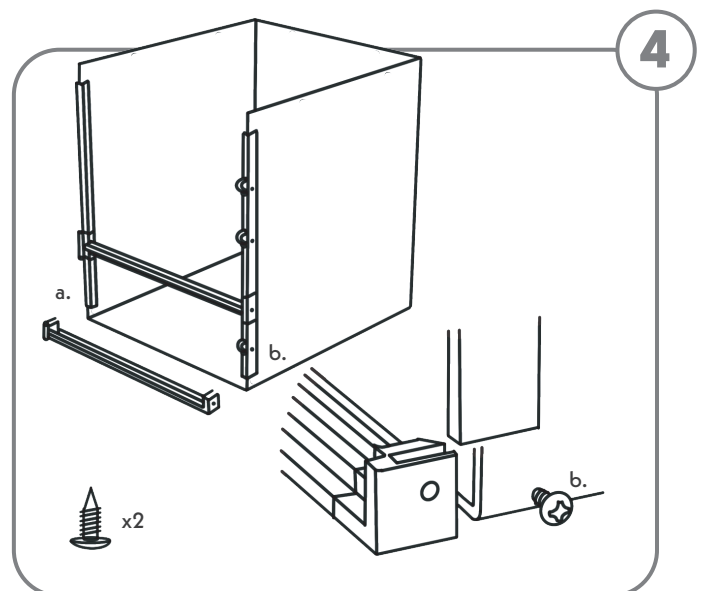
1) Lay the full flat main panel face down on a table, unfolded. Fold the panels forward (towards the decal) on the triangular indent lines. (Using the side of a table helps cleanly crease the folds)



2) Place the cross bar into the indent in the metal frame, hold the bar in place. (Note: The rounded part of the support bar fits into the rounded indent.) Insert the machine screws into both sides (a.) and (b.) and tighten.

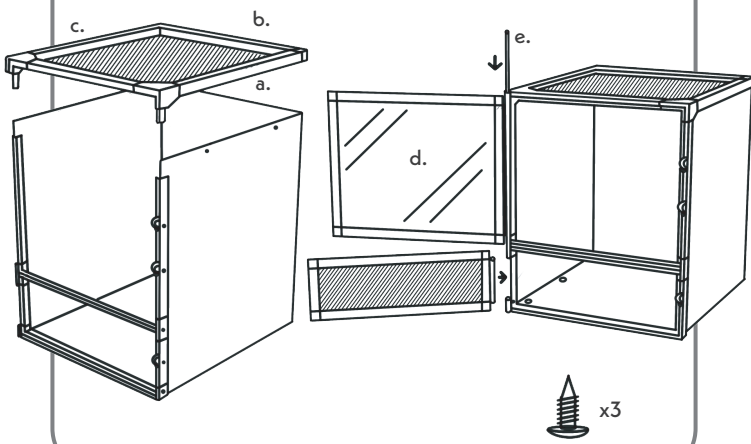


3) Pre-fold the bottom floor tabs on the main habitat panel inwards; bottom panel should be installed on top of folded side tabs as shown in diagram (a.). Begin inserting the top and bottom rivets around the perimeter until all nine holes on the bottom panel are affixed to the main habitat panel.



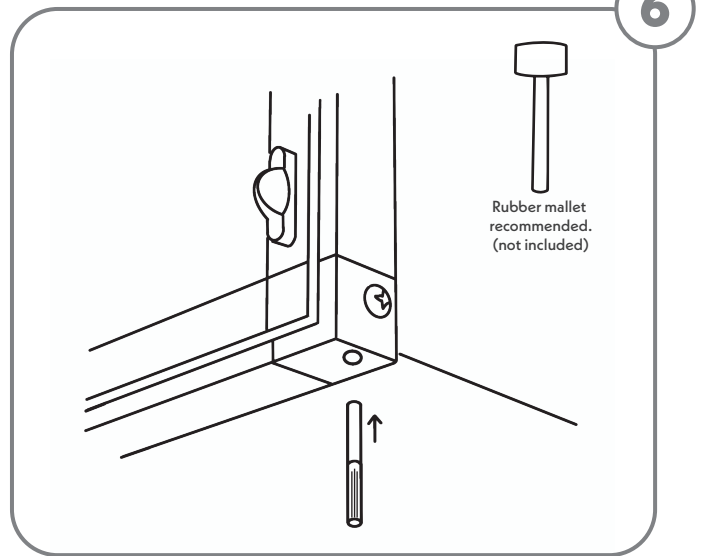
4) Align the bottom bar assembly with the bottom corners and floor panel of the habitat. Carefully guide the bottom panel and corners into the slot in the bottom bar assembly. Insert the sheet metal screws into both sides (a.) and (b.).

5



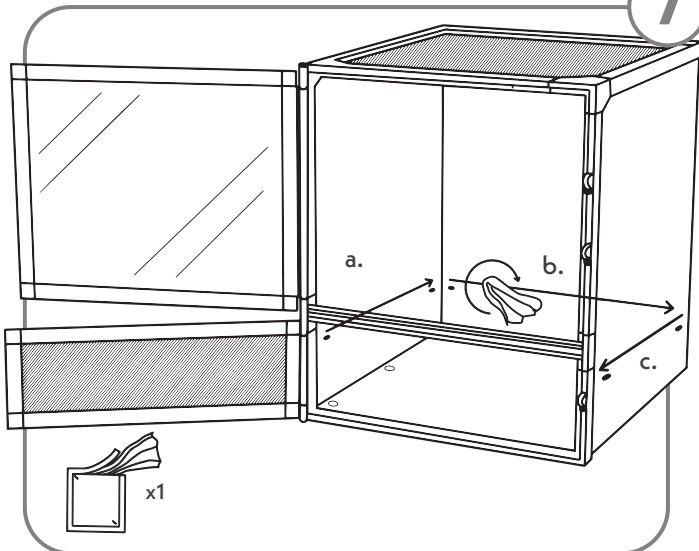
5) Align the top assembly frame with the top of habitat walls. Starting at one back corner, carefully press the slot in the frame onto the habitat top, making sure all sides are flush with the walls of the habitat. Insert the three sheet metal screws around the left, right, and back of the frame affixing the top to the walls (a.) (b.) (c.). After installing the top, insert and align doors (d.) and slide hinge pin (e.) in from the top.

6



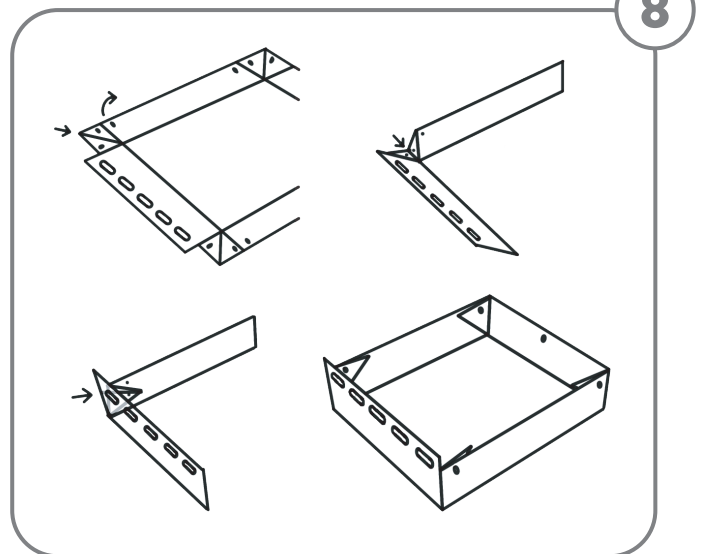
6) Push the Alignment Pin into the hole on the bottom front right-hand corner of the habitat until flush with frame rail.

7



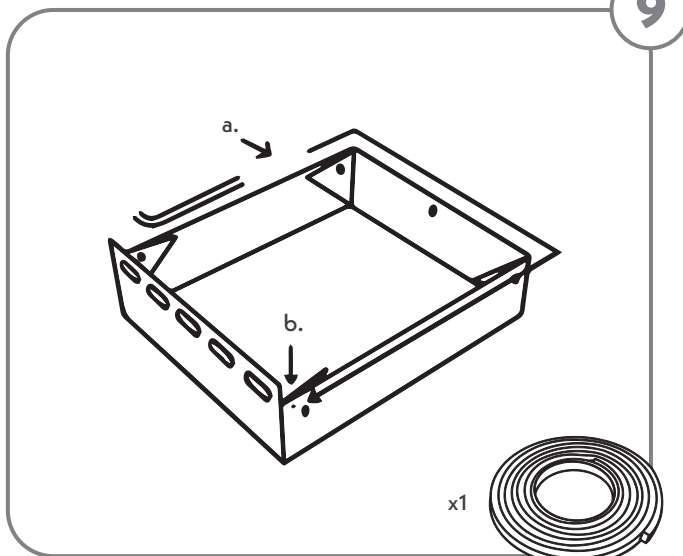
7) **Optional:** If installing Bioactive Retention Tray, prepare the habitat by wiping along the inside walls (a.) (b.) (c.) at the level of the rivet holes thoroughly with the included primer wipe.

8



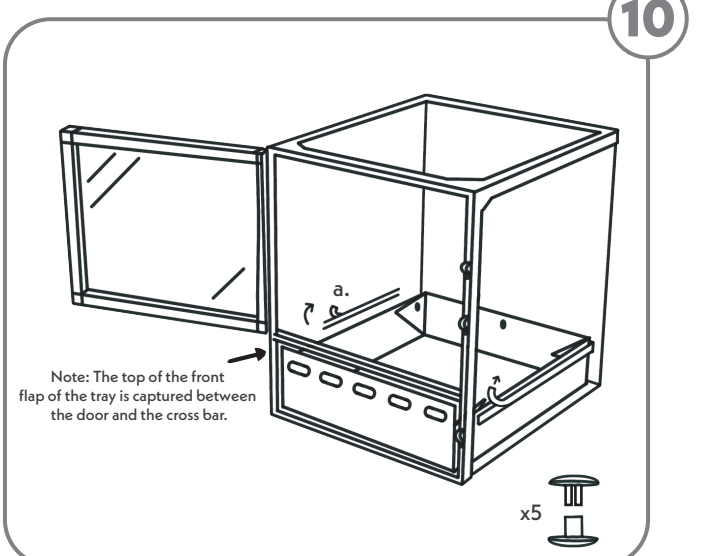
8) Bioactive Retention Tray Assembly: Fold the corners of the bottom tray inward on either side of the tray.

9



9) Remove backing from one side of the adhesive strip. Affix the strip around the back three sides of the tray (a.) starting at the top right side directly behind the cut-out dot (b.) and above the rivet holes.

10



10) Open the bottom door of the habitat and insert the tray. Remove the outer backing of the adhesive strip (a.) and make sure that the adhesive strip creates a complete seal between the tray and the walls of the habitat. Next, attach the five rivets through the holes in the outer wall of the habitat and into the inside of the aligned holes on the tray, securing the inside corner folds of the tray.

Scan Me



Scan this QR code for more information, video instructions and support.

<https://leaphabitats.com/>