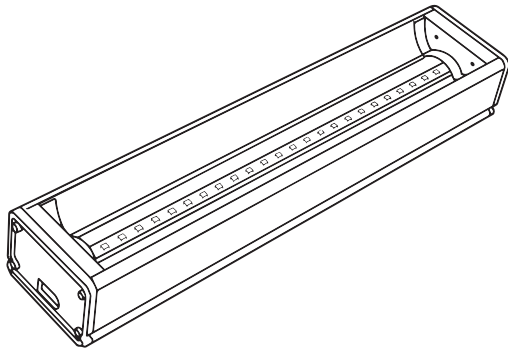


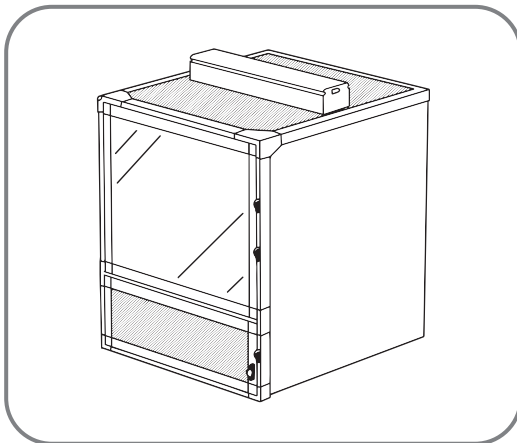
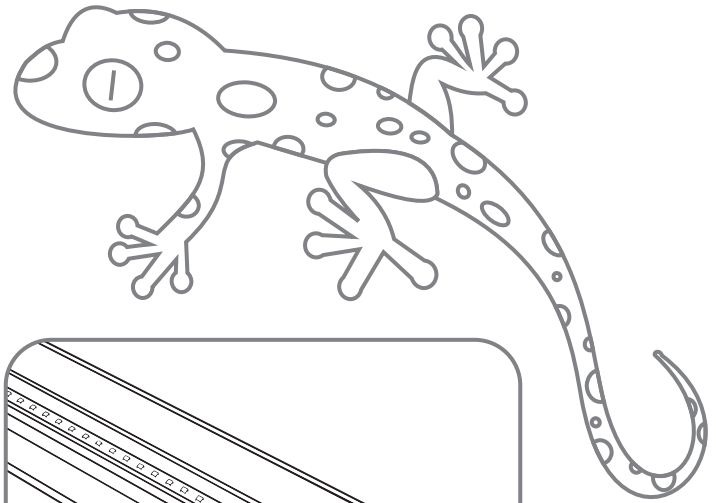
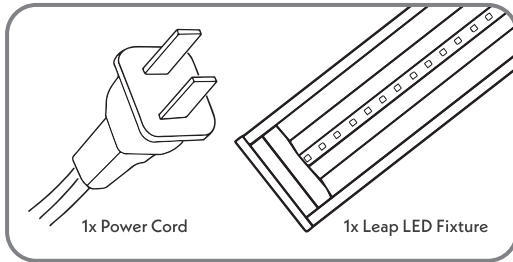


## LED Light Bar

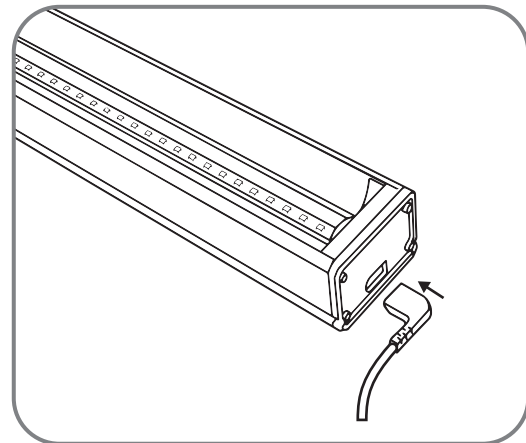
Our LED Light Bar provides beautiful white light that not only makes your terrarium look great, but has enough Photosynthetically Active Radiation (PAR) to allow your plants to thrive!



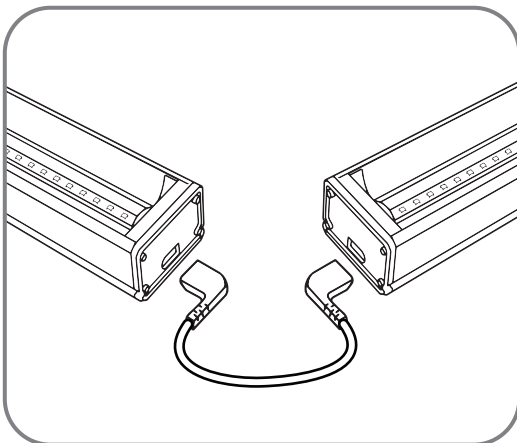
### In the Box



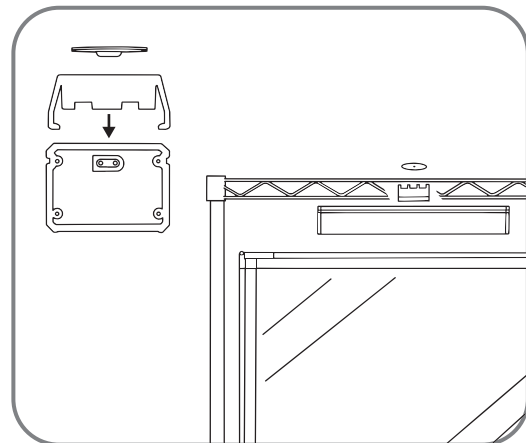
1) Place the fixture in your desired location on top of your habitat.  
Tip: Adjust fixture location to provide light to as much of your terrarium as possible.



2) Plug the power cord into the light fixture. Make sure the cord is fully seated in the fixture to provide good contact.



Optional: Chain one or more lights together in series using an interconnect cable accessory. You can link both Leap's T5 UV and LED Light Bars with the same connecting cord! (sold separately)



Optional: If you plan on using Leap's lighting in a rack system, you can use Leap's easy-to-use rack mounting kit. (sold separately)



# SAFETY STATEMENTS

Incorrect usage of this device could cause bodily injury or death. Follow all safety guidelines when assembling and using this fixture.

Always read the manual prior to use.

DO NOT immerse the product or power cable in water. If the product or power supply falls into water, DO NOT reach for it! First, unplug it and then retrieve it. If electrical components of the appliance get wet, unplug the appliance immediately. Death, injury, or destruction of property may result.

Do not use the appliance for other than intended use. The use of attachments, power cords, or accessories not sold by the manufacturer may cause an unsafe condition resulting in death, injury, or destruction of property may result.

To avoid possible electrical shock, special care should be taken since water is employed in the use of habitat equipment.

- Always check the power cable for damage or defect before use.
- This product is for indoor use only.
- Make sure the unit is placed on a flat surface and exposed power cables are secured to prevent injury or accidentally disrupting the unit.
- If a plug or receptacle becomes wet, immediately disconnect the fuse or circuit breaker.
- Do not operate any product if it has a damaged cord or plug, if it is malfunctioning, has damaged LEDs, or if it is dropped or damaged in any manner.
- Use of this fixture in a wet environment may result in product damage and bodily injury or death.
- Carefully examine the product after installation. It should not be plugged in if there is water anywhere on the product.
- Never yank the cord to pull the plug from the outlet. Grasp the plug and pull to disconnect.
- Position the habitat and stand to one side of a wall-mounted receptacle to prevent water or moisture from dripping onto the receptacle or plug.
- A "drip-loop" should be employed for each cord connecting a habitat appliance to a receptacle. A "drip-loop" is the part of the cord below the level of the receptacle (or the connector if an extension cord) to prevent water from traveling along the cord coming in contact with the receptacle.
- If an extension cord is necessary, a cord with a proper rating should be used. A cord rated for less amperes or watts than the appliance rating may overheat.
- Always unplug the product from the outlet before putting on or taking off parts and before cleaning.
- This system is intended for use by adults only.
- Do not attempt to disassemble the light fixture.
- In the event that the fixture requires service, please contact Leap Habitats.
- If fixture operation appears abnormal, disconnect from power and contact Leap customer service.

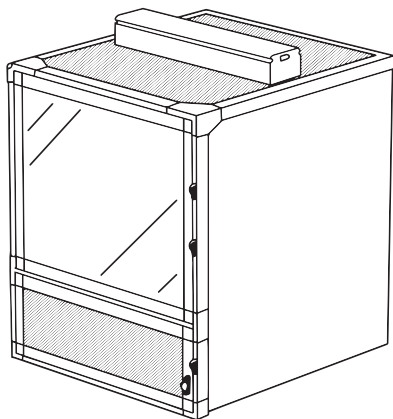
## IMPORTANT SAFETY INSTRUCTIONS

This portable luminaire has a polarized plug (one blade is wider than the other) as a feature to reduce the risk of electric shock. This plug will fit in a polarized outlet only one way. If the plug does not fit fully in the outlet, reverse the plug. If it still does not fit, contact a qualified electrician. Never use with an extension cord unless plug can be fully inserted. Do not alter the plug.

TO PREVENT ELECTRIC SHOCK, MATCH WIDE BLADE OF PLUG TO WIDE SLOT  
POUR EVITER LES CHOCS ELECTRIQUES, INTRODUIRE LA LAME LA PLUS LARGE DE LA FICHE DANS LA FENTE LA PLUS LARGE

## SPECIFICATIONS

Model	Part#	Length	Voltage	F(Hz)	Power(W)	Power Factor	Max Connected Units
Leap 12W LED	LP113	12"	85v-265v	50/60	12	≥0.97	20
Leap 36W LED	LP114	36"	85v-265v	50/60	36	≥0.97	8
Leap 48W LED	LP115	46"	85v-265v	50/60	48	≥0.97	6



Conforms to UL STD 153  
Certified to CSA STD C22.2#250.4



<https://leaphabitats.com/>